

298 UNI 6750 ISO 2236

Hexagonal socket spinners with grip

- Ergonomic three-material grip with soft covering, resistant to oils and chemicals
- Special Chrome Vanadium steel body
- Chrome plated finish

Ø mm	b mm	c mm	L mm	handle size	code	
4	75	20	188	M3	U02980251	1
5	75	25	188	M3	U02980252	5
5,5	75	30	188	M3	U02980253	5
6	75	35	188	M3	U02980254	5
7	75	35	193	M3	U02980255	5
8	75	50	193	M3	U02980256	5
9	75	50	193	M3	U02980257	1
10	85	50	193	M3	U02980258	5
11	85	50	193	M4	U02980259	1
12	85	50	193	M4	U02980260	1
13	85	50	198	M4	U02980261	5

298 SE11

Set of 11 socket spinners with grip

- 298/4-5-5,5-6-7-8-9-10-11-12-13 mm

kg	code	
1,4	U02980290	1

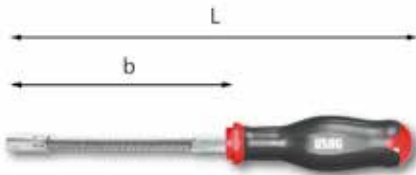


298 RV8

Empty holder for hexagonal socket spinners

- Enamelled sheet steel
- Supplied without screws
- For wrenches 298 - 298 SN - 299

L mm	code	
265	U02980020	1



298 SN

Flexible hexagonal socket spinners with grip

- Maximum permissible torsion 10 Nm
- Ergonomic three-material grip with soft covering, resistant to oils and chemicals
- Chrome plated finish

Ø mm	b mm	L mm	handle size	code	
5,5	155	270	M4	U02980292	1
6	155	270	M4	U02980293	1
7	155	270	M4	U02980294	1
8	155	270	M4	U02980295	1
10	155	300	M4	U02980297	1
13	155	300	M4	U02980299	1

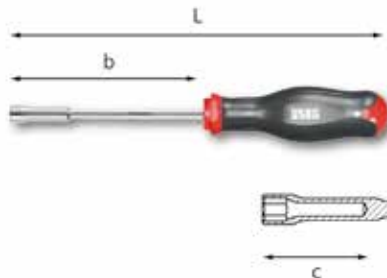


298 SN/SE4

Set of 4 flexible hexagonal socket spinners with grip

- 298 SN/7-8-10-13

kg	code	
1	U02980288	1



299 ISO 2236 ISO 691

Hexagonal socket spinners with grip

- Deep hexagonal socket for working on projecting screws
- Ergonomic three-material grip with soft covering, resistant to oils and chemicals
- Special Chrome Vanadium steel body
- Chrome plated finish

Ø mm	b mm	c mm	L mm	handle size	code	
4	125	20	240	M3	U02990201	5
5	125	25	240	M3	U02990202	5
5,5	125	30	240	M3	U02990203	5
6	125	35	240	M3	U02990204	5
7	125	35	245	M3	U02990205	5
8	125	50	245	M3	U02990206	5
9	125	50	245	M3	U02990207	5
10	125	50	245	M4	U02990208	5
11	125	50	245	M4	U02990209	5
12	125	50	245	M4	U02990210	5
13	125	55	250	M4	U02990211	5
14	125	55	250	M4	U02990212	5



299 SE4

Set of 4 socket spinners with grip

- 299/7-8-10-13 mm

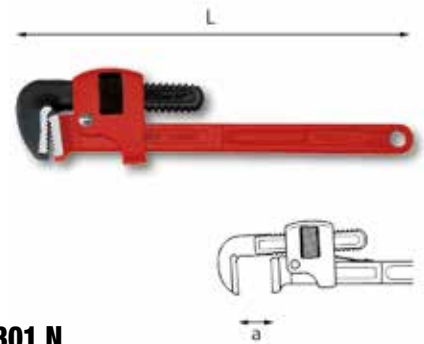
gr	code	
720	U02990200	1

299 SE12

Set of 12 socket spinners with grip

- 299/4-5-5,5-6-7-8-9-10-11-12-13-14 mm

kg	code	
1,6	U02990281	1

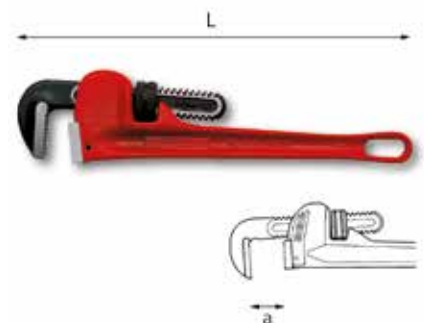


301 N

Stillson-type pipe wrenches

- Articulated cage with a double-spring device for gripping the pipe immediately, allowing quick resuming of the manoeuvre
- Body and movable jaw in Carbon steel

L mm	⊙ max	a mm	code	
250	1	34	U03010004	1
350	1 ½	49	U03010005	1
450	2	60	U03010006	1
600	2 ½	76	U03010007	1
900	3 ½	102	U03010008	1



302 N

American model pipe wrenches

- Double-spring device for gripping the pipe immediately, allowing quick resuming of the manoeuvre
- Cast iron body
- Jaws in Carbon steel

L mm	⊙ max	a mm	code	
200	1	33	U03020003	1
250	1 ½	48	U03020004	1
350	2	60	U03020005	1
450	2 ½	73	U03020006	1
600	3	89	U03020007	1